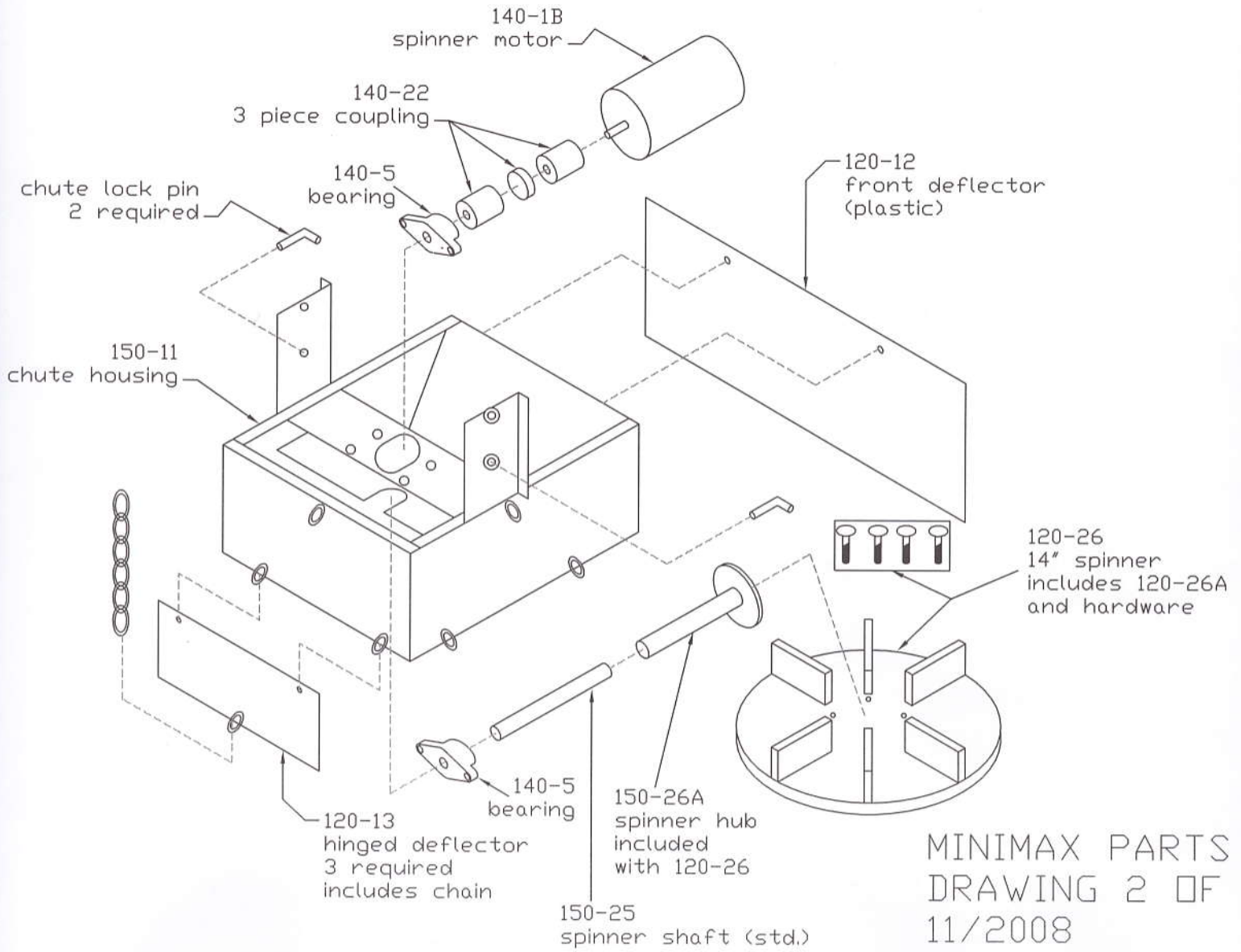


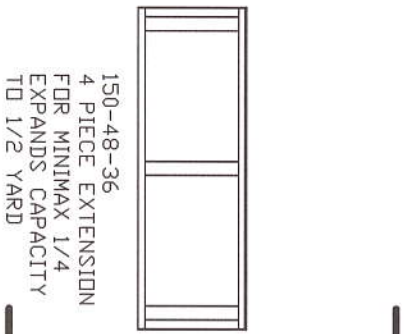
MINIMAX PARTS
 DRAWING 1 OF 3
 11/2008



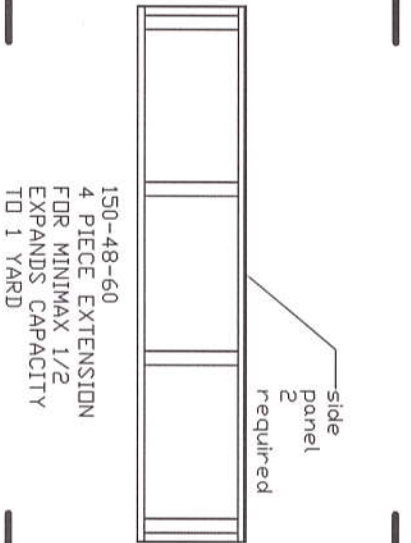
MINIMAX PARTS
DRAWING 2 OF 3
11/2008

MINIMAX TOP EXTENSIONS
11/2008

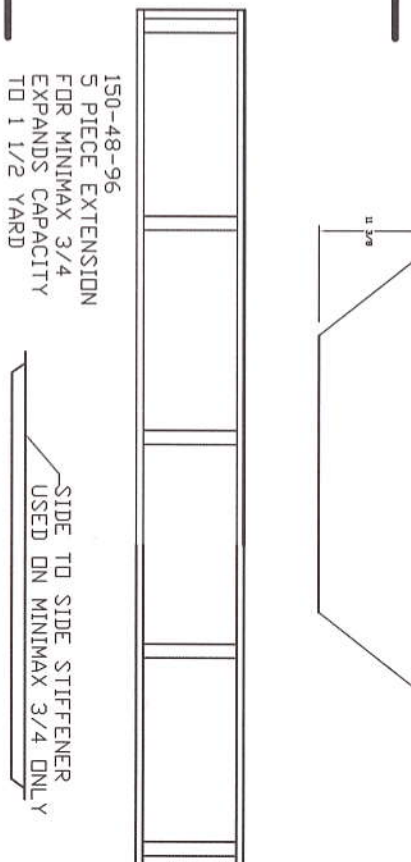
ALL SIDE PANELS ARE
HINGED FOR USE AS AN
EXTENSION OR A TOP COVER
KIT IS 'BOLT TOGETHER'



150-48-36
4 PIECE EXTENSION
FOR MINIMAX 1/4
EXPANDS CAPACITY
TO 1 1/2 YARD



150-48-60
4 PIECE EXTENSION
FOR MINIMAX 1/2
EXPANDS CAPACITY
TO 1 YARD



150-48-96
5 PIECE EXTENSION
FOR MINIMAX 3/4
EXPANDS CAPACITY
TO 1 1/2 YARD

END PANELS
2 SUPPLIED WITH
EACH KIT

SIDE TO SIDE STIFFENER
USED ON MINIMAX 3/4 ONLY